

SAM CLUB 225

BASKETBALL UNIT PRODUCT BREAKDOWN



LEVEL 3



STORAGE

FULL PROJECTION

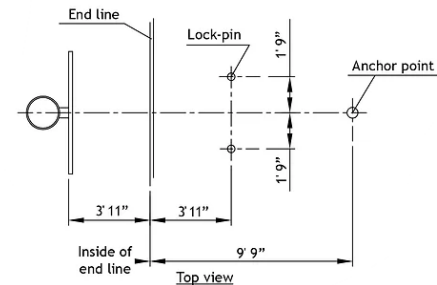
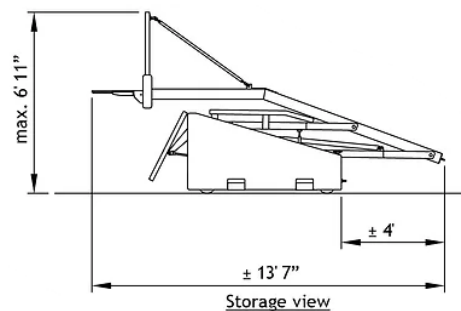
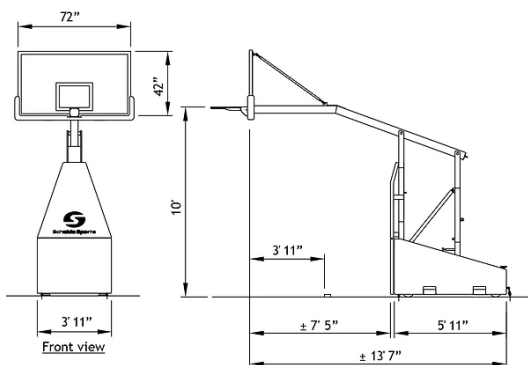
SAM CLUB 225

Economical Main Court system for clubs, secondary schools, community halls, school gyms, national and regional competitions of all levels.

FEATURES

- Complete portable backstop unit.
- 7' 5" projection.
- Total Weight 2,414.06 lbs.
- Lifting and lowering by use of SAM system (Spring Assisted Mechanism): easy, safe and low-maintenance.
- One-step set-up thanks to the APF system (Automatic Pedestal Feet).
- FIBA Level 3 approved.
- Strong and stable backstop, white coated high-tensile strength steel frame. Lifetime maintenance free pivot bearings, 100% enclosed counterweights.
- 2 wheels in the front and 2 double fixed wheels in the rear for optimal weight distribution.
- Tempered glass backboard.
- Pro Strength breakaway ring.
- Sturdy nylon Anti-Whip basketball net.
- Safety padding for the front, sides, and backboard. Come in a variety of color and can be customized.
- Floor hook at the rear of the frame. 2 positioning pins on the front for rapid installation at the right place on the court.

FOR WORLD-CLASS VENUES AND HIGHEST LEVEL OF COMPETITION



CONTACT INFO:

www.scheldesports.us
info@scheldesports.com
833-724-3533